

OEM remote

Two systems - One remote

Two individual locksystems, using only the OEM remote. SmartConnect seamlessly integrates with any aftermarket door locks, providing a simple, hassle-free experience for drivers throughout their workday.

- ✓ *Patented Technology*
- ✓ *TWO individual locksystems, using only the OEM remote*
- ✓ *Enhanced Security*
- ✓ *No Additional Equipment Needed*

Introducing our new advanced safety system. Unlike standard setups, our system remains secure, ensuring that the secondary locks cannot be activated or unlocked through tampering with the OEM door locks, thanks to its independent connection.

How does it work?

The nature of Smart Connect is based on the difference in the electrical signals present in the car when the locks are manually activated (or tampered with) compared to the signals created when using the standard remote key. This difference is essential for its functionality.

By pairing various signals from the car to the Smart Connect box, a unique pattern is formed when using the remote – a valid unlock signal.

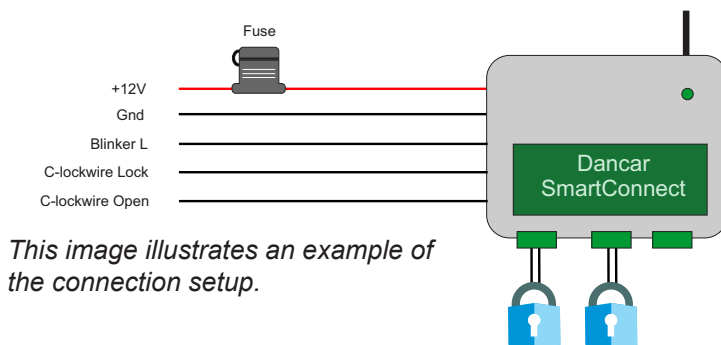
Smart Connect saves a log of this pattern during installation and compares it to future instances to generate a valid unlock signal for the retrofitted locks. The unlock signal cannot be simulated from outside, as Smart Connect generates its own signal.

Why Smart Connect?

The essence of Smart Connect is to provide a simple and safe operation of additional locks on delivery vans. No more extra remotes, tags, keypads, or other complicated solutions. Smart Connect allows the user to rely solely on the car's original remote, without compromising the benefits of having extra security features.

Safety is ensured, and the system works with any car that comes equipped with remote keyless entry. Safe and simple!

The system is patented, and with its straightforward operation, you get a unique product offering attractive solutions for clients seeking safety locks for delivery vans and similar vehicles.



This image illustrates an example of the connection setup.