

# Instruction

# SUZUKI CRUISE CONTROL



Model	GRAND V. 2006- → → →	Type of model	GLS 1.9 DDIS
		Description	Cruise control
		Part number	DC 90300
		Manufacturer	Dancar Autosikring
Production	24/4-2007	Installation time	45 min.

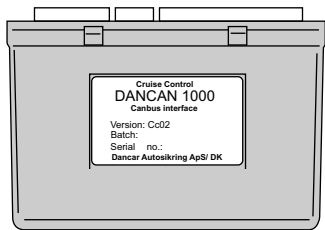


TESTED AND APPROVED  
UNTIL 140 Km/h

The product which is described in the guide was developed, produced and inspected as regards the necessary security precautions. In order to guarantee a faultless operation and thus exclude the danger to people and objects, this product must be mounted in accordance with professional guidelines. Internal fitting must thus only be performed by professionals who possess the necessary technical knowledge and the necessary tools. The mounting guide must be read thoroughly. Before starting the mounting you must make sure that the mounting kit is complete.

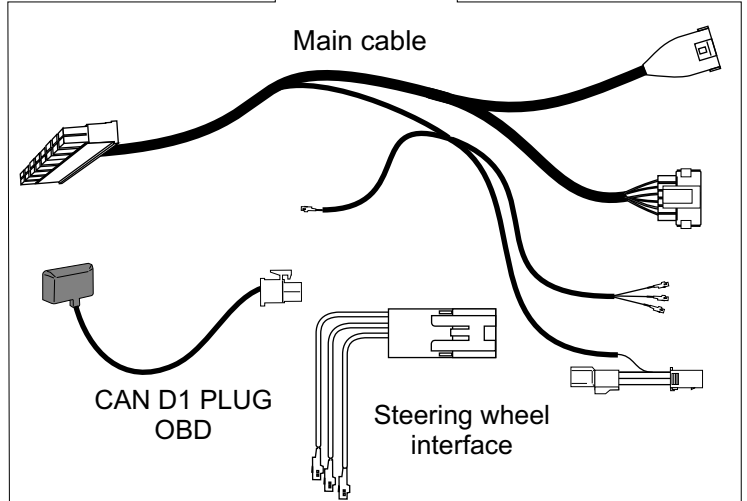
## CONTENTS

CC 002

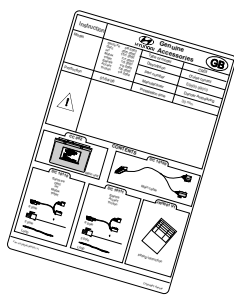


Version 6.0

DC 10300

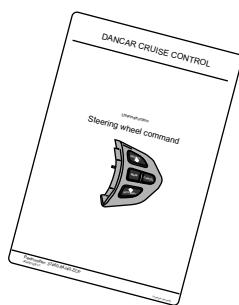


JKH0300GB



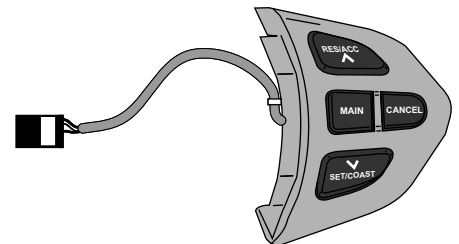
Fitting Instruction

JKH030GB



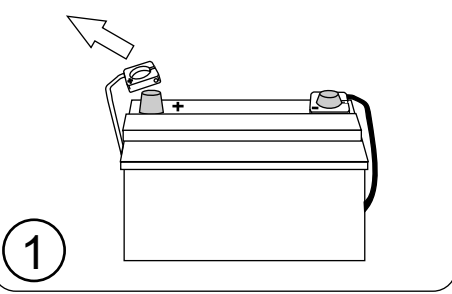
User Instruction

Original command module  
to order separately

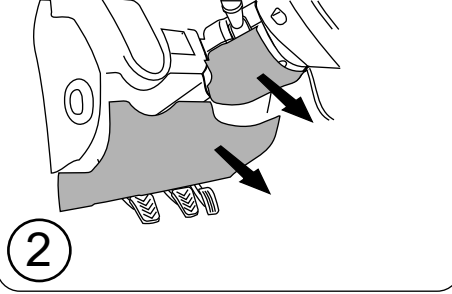


Partnumber: 37460-64J40-ZCP

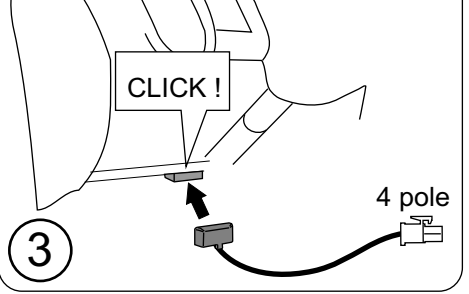
Disconnect battery



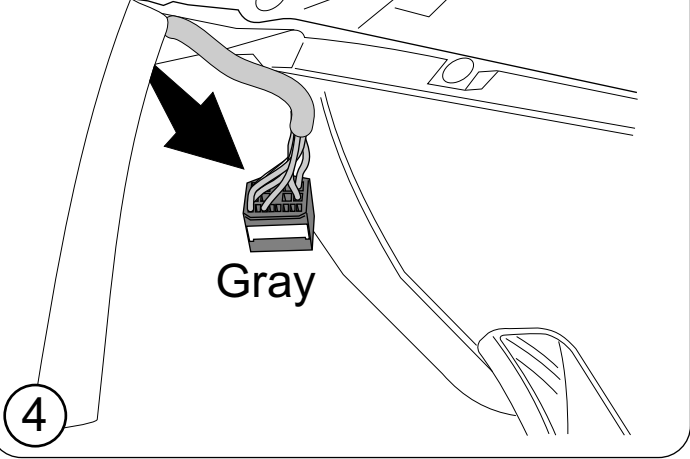
Remove covers



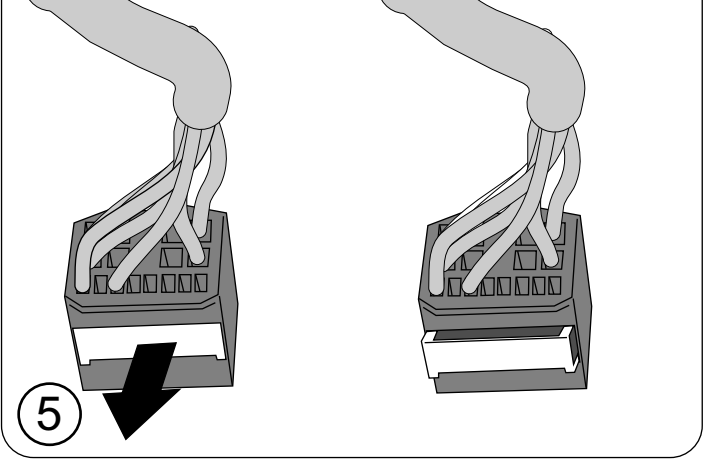
Insert OBD plug



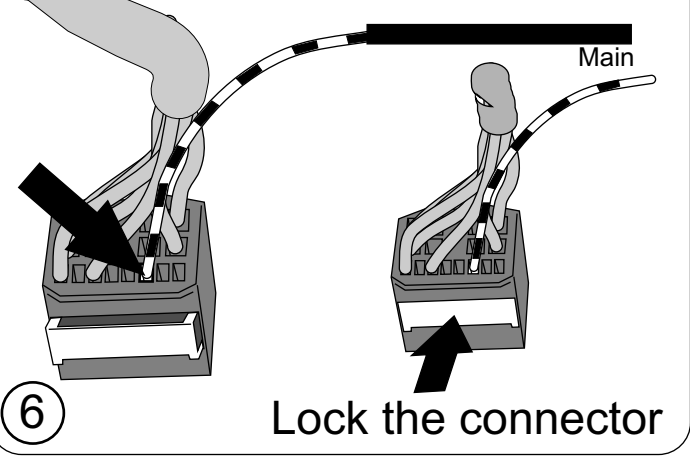
Dis-connect 17 pole connector



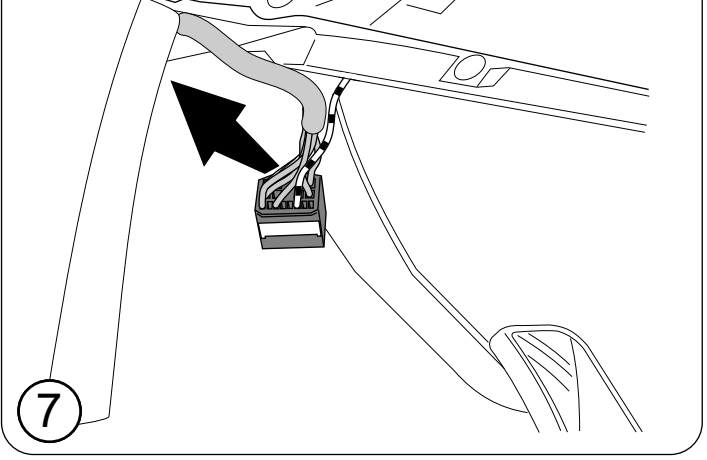
Un-lock the connector



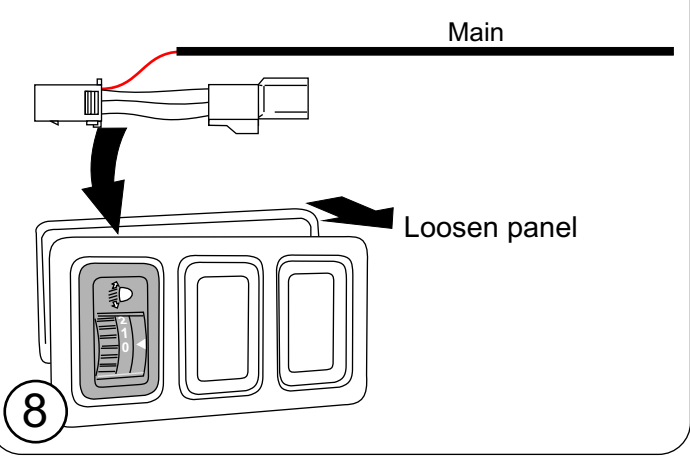
Insert black/white wire



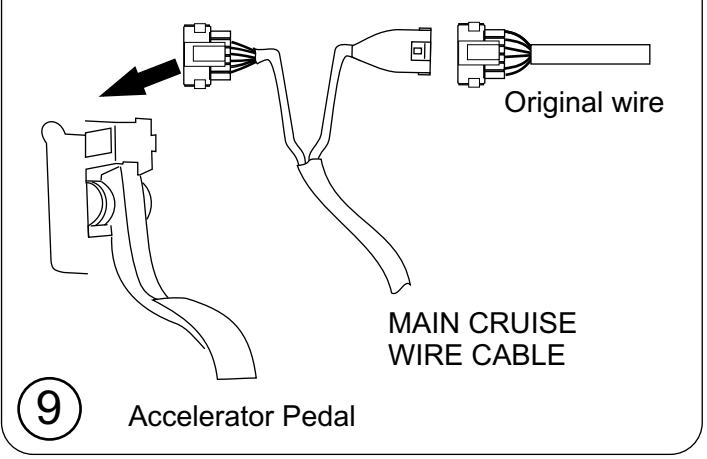
Re-insert 17 pole connector



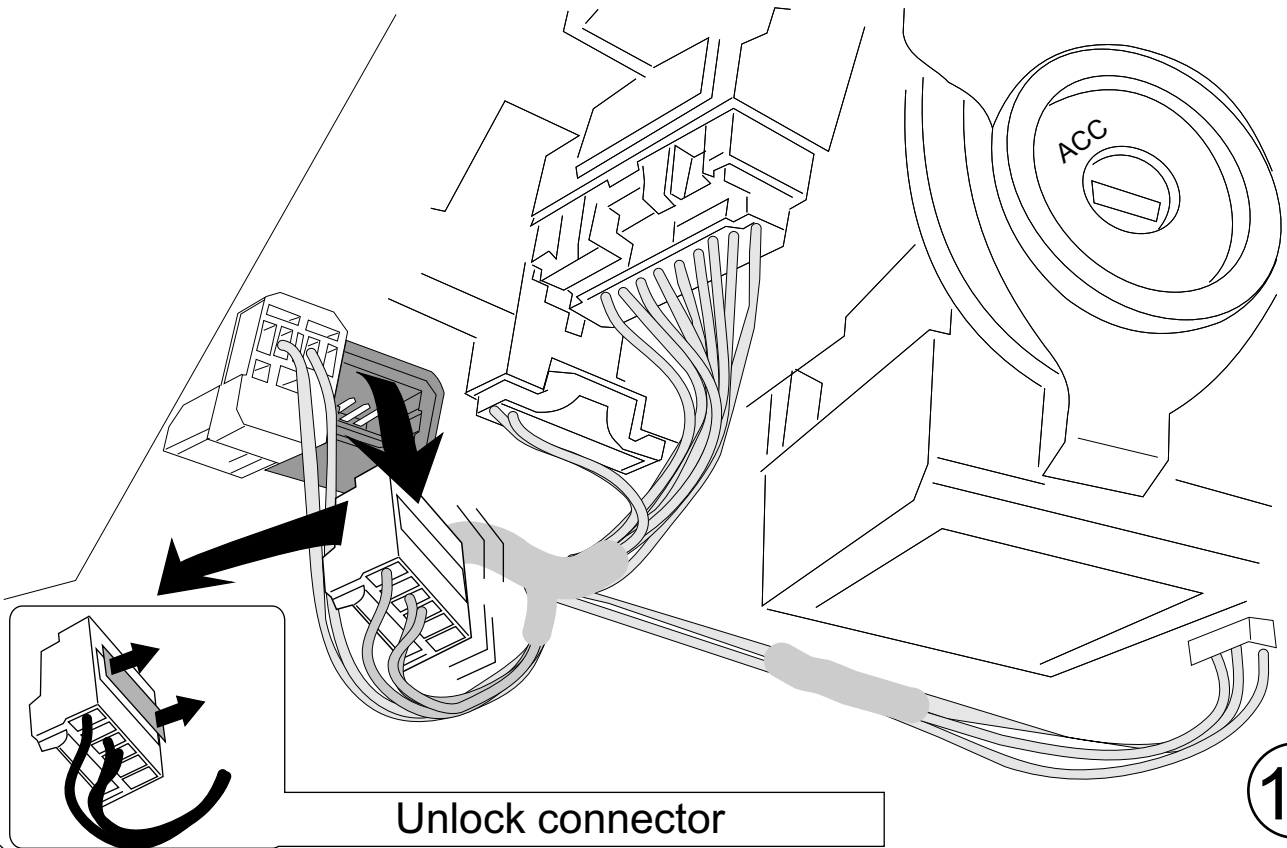
Interface the leveler switch



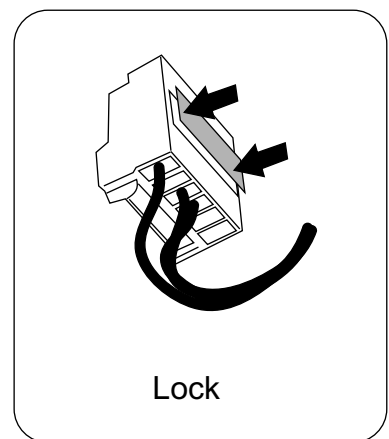
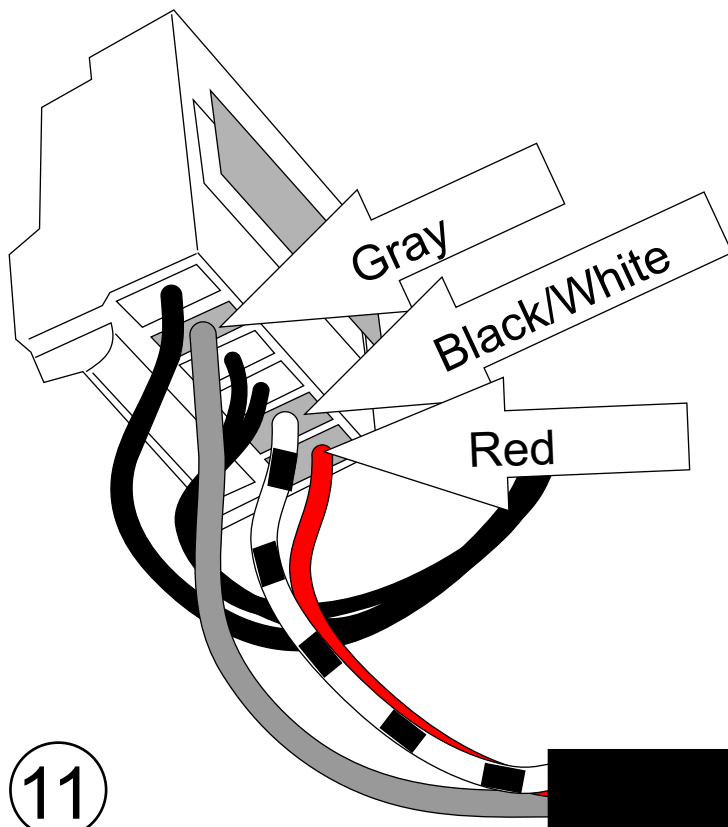
Insert connectors



# Remove 6 pole

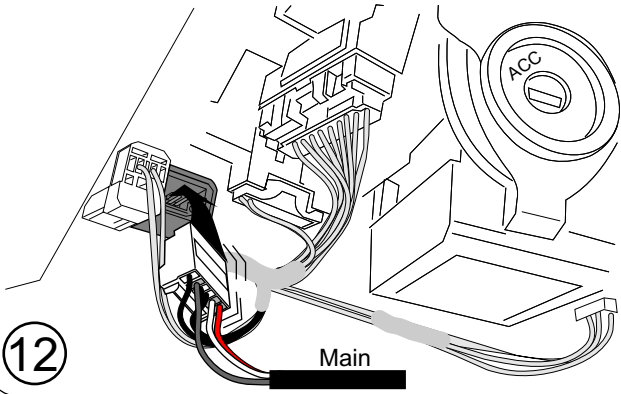


# Insert the wires

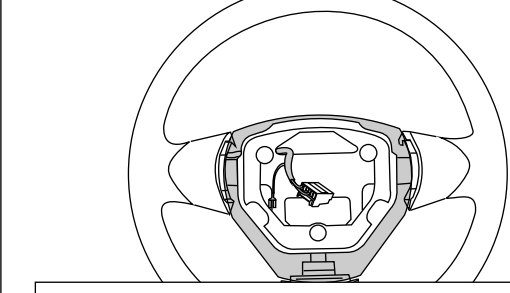


Main

### Re-insert connector

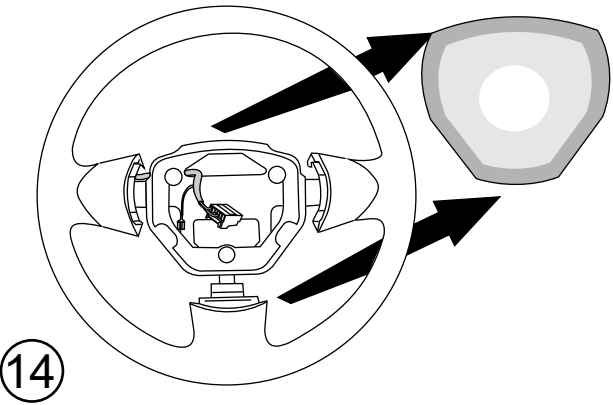


### Remove the steering wheel

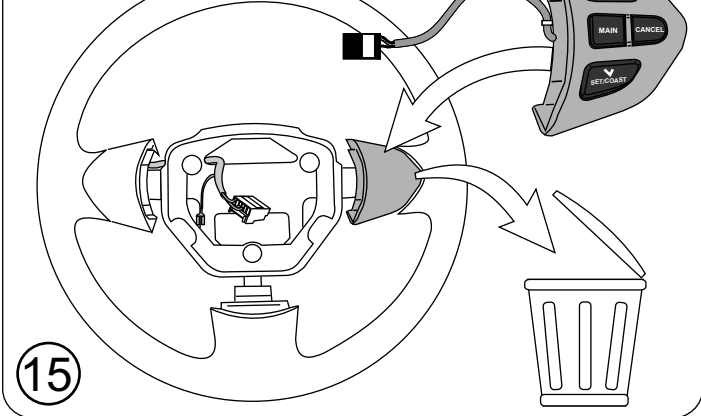


13  **ATTENTION TO CAR SPECIFIC SAFETY INSTRUCTIONS !!**

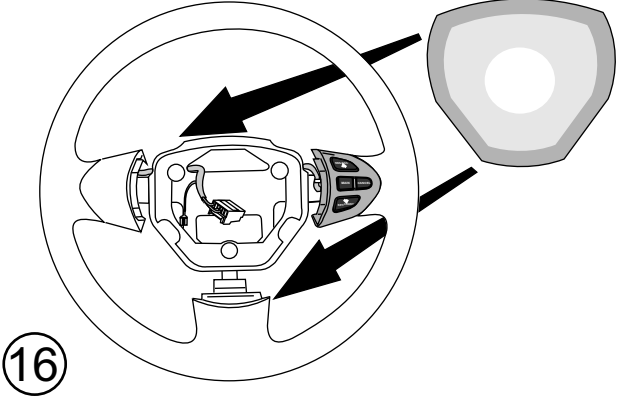
### Remove the backcover



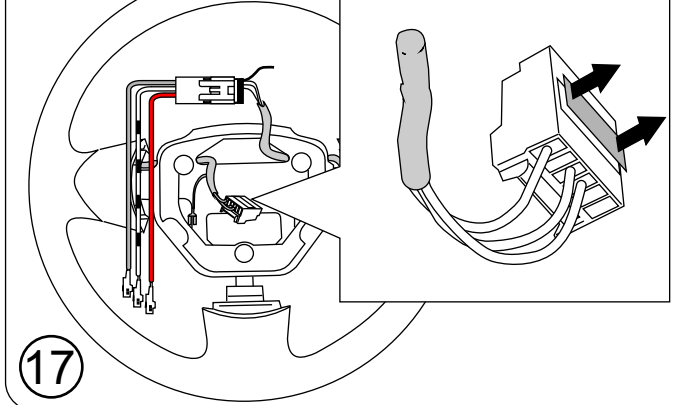
### Mount the switch



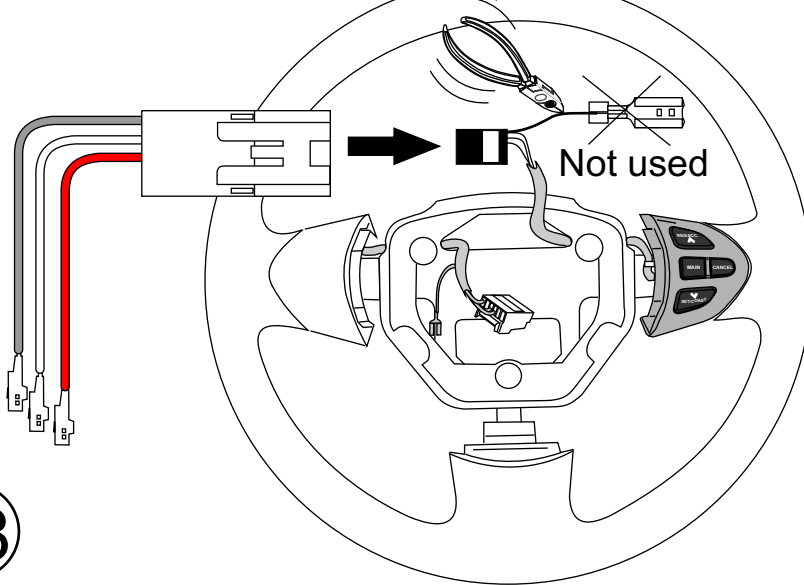
### Mount the backcover



### Unlock 6 pole connector

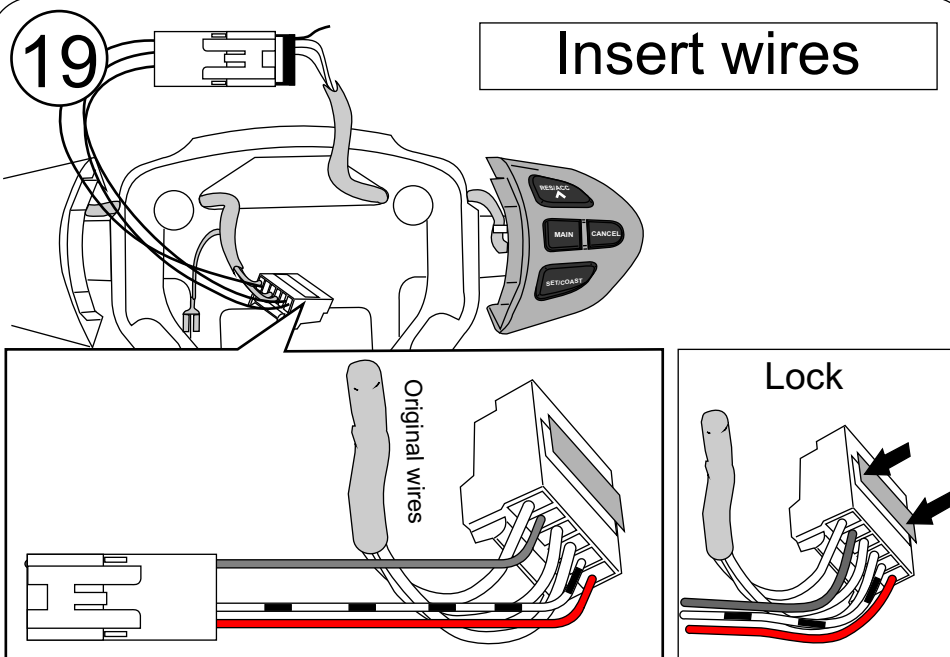


## Insert steering wheel interface



18

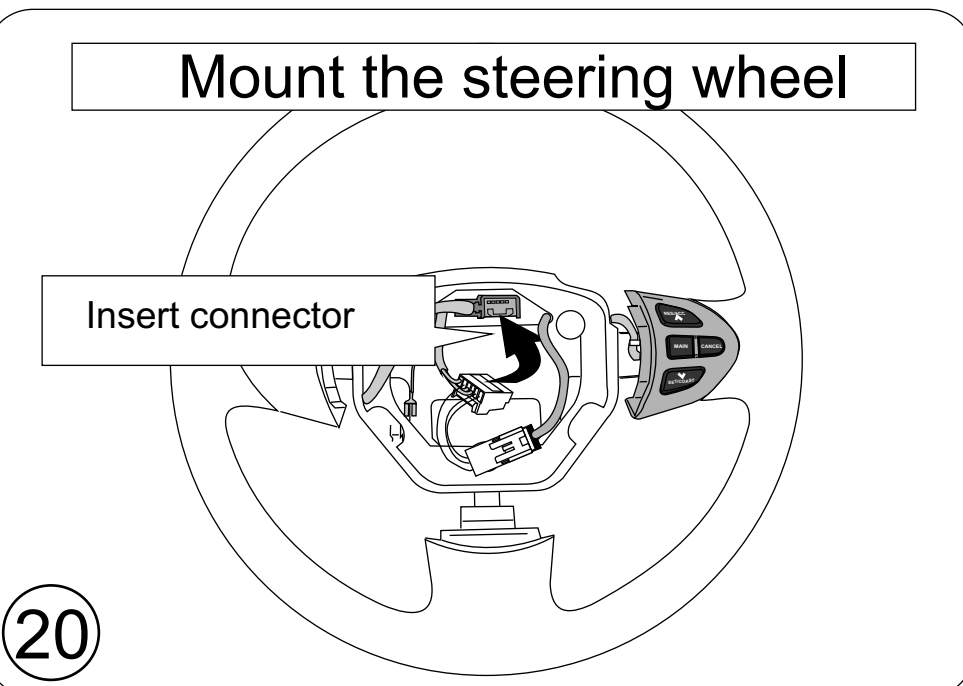
## Insert wires



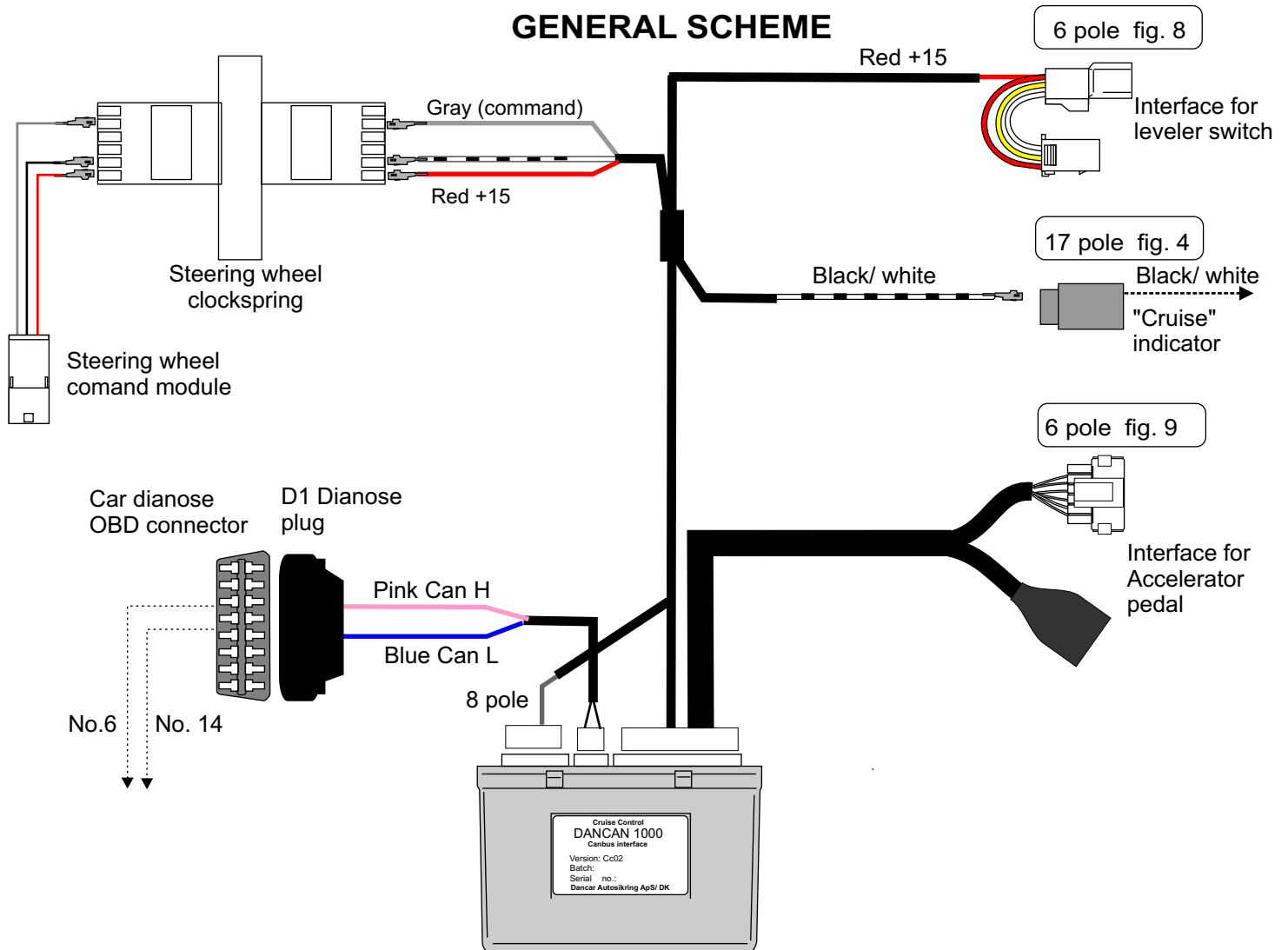
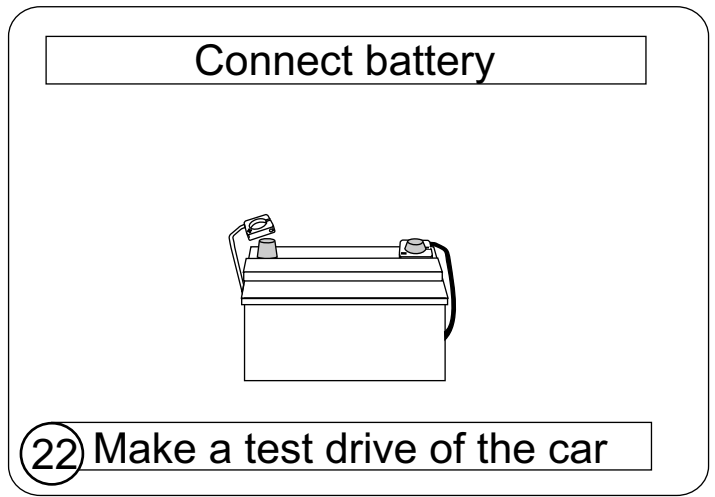
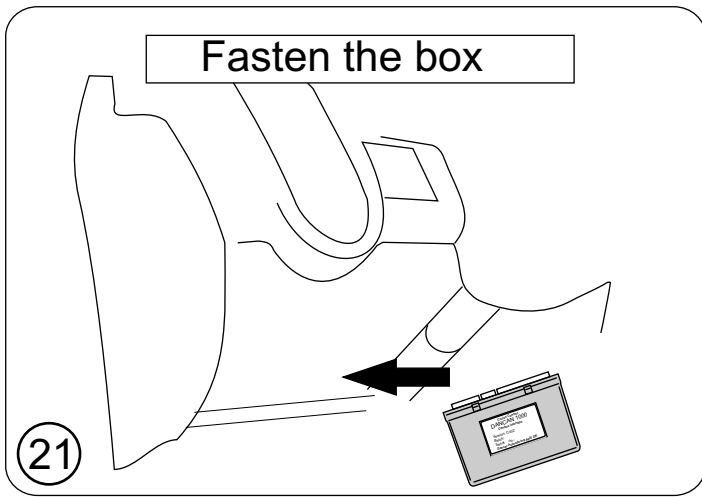
19

## Mount the steering wheel

Insert connector



20



#### Note

#### SERVICE OF THE CAR

Access to the car dianose connector, can be done by temporarily removal of the D1 dianose plug.

#### DATA

#### Technical information:

Consumption	20 mAh
Dimensions:	82X53X27
Weight:	57 g.
Supply:	12 v. dc
Marking:	<b>E11</b> marking
Patent:	PR 176226
TÜV/KBA:	90989
User instruction:	Separat

e11

10R-023610 Part No. 01T-063338