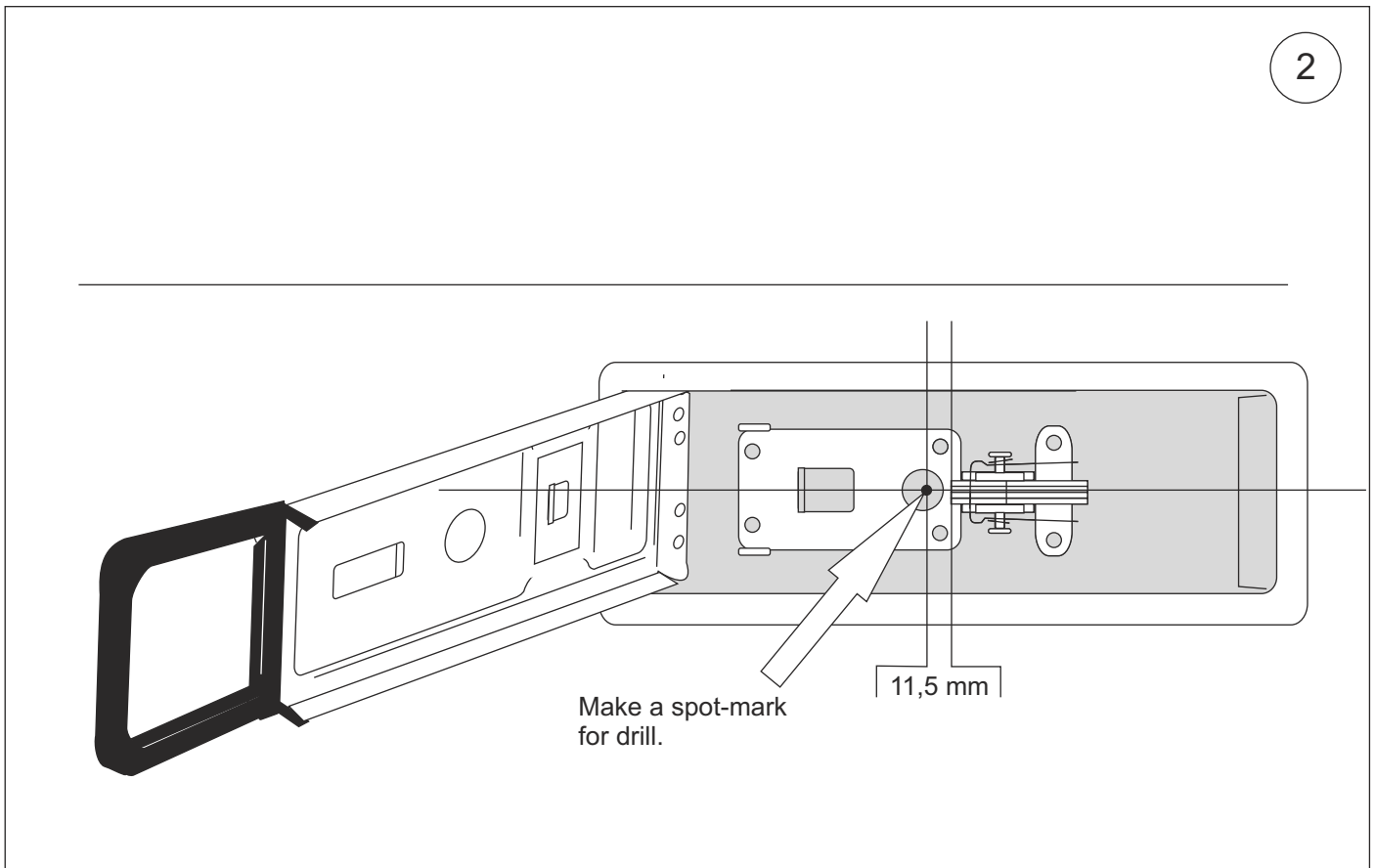
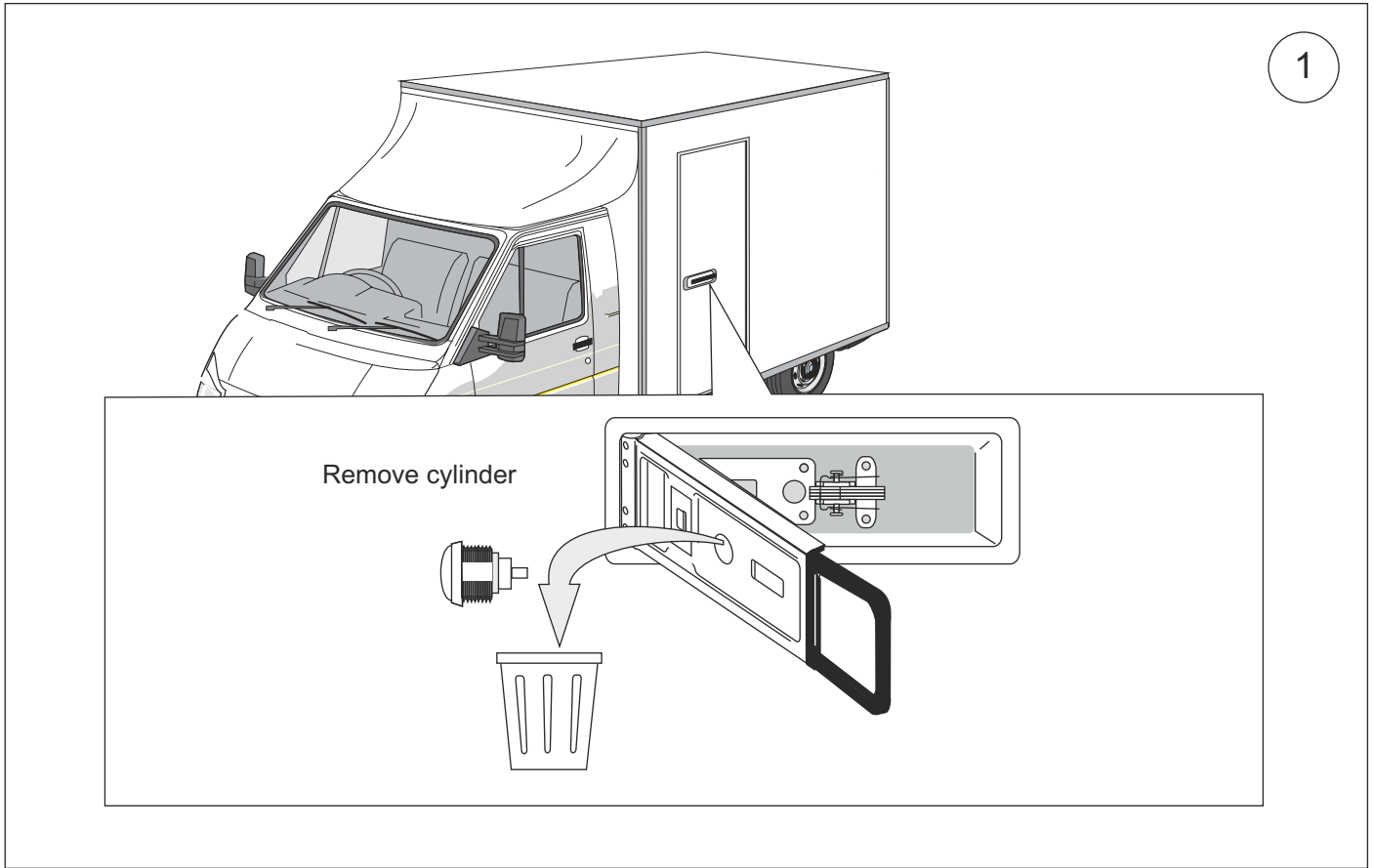
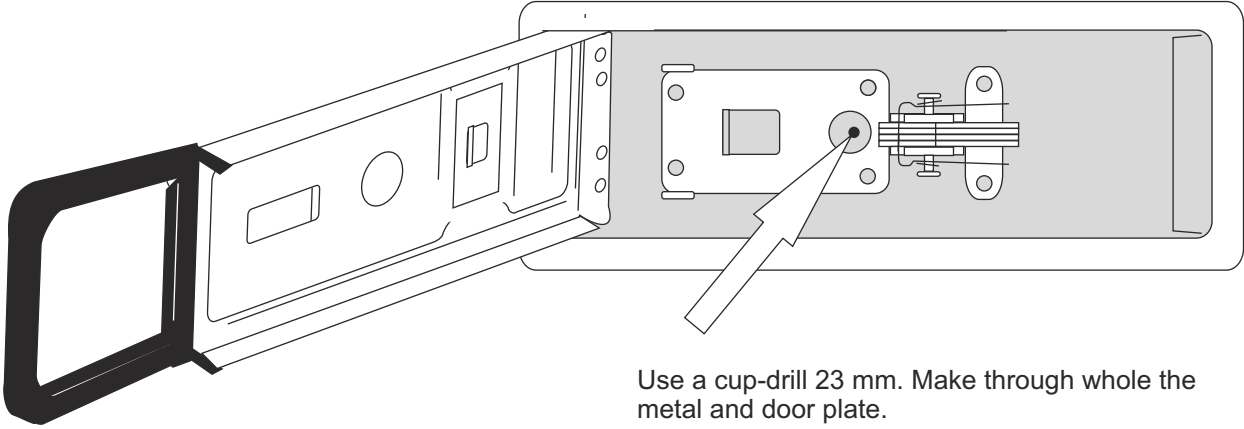


This electrical lock substitute the manual locking cylinder normally present on this handle type. The locking actuator is connectet to the original curcuit of central door locking of the car.



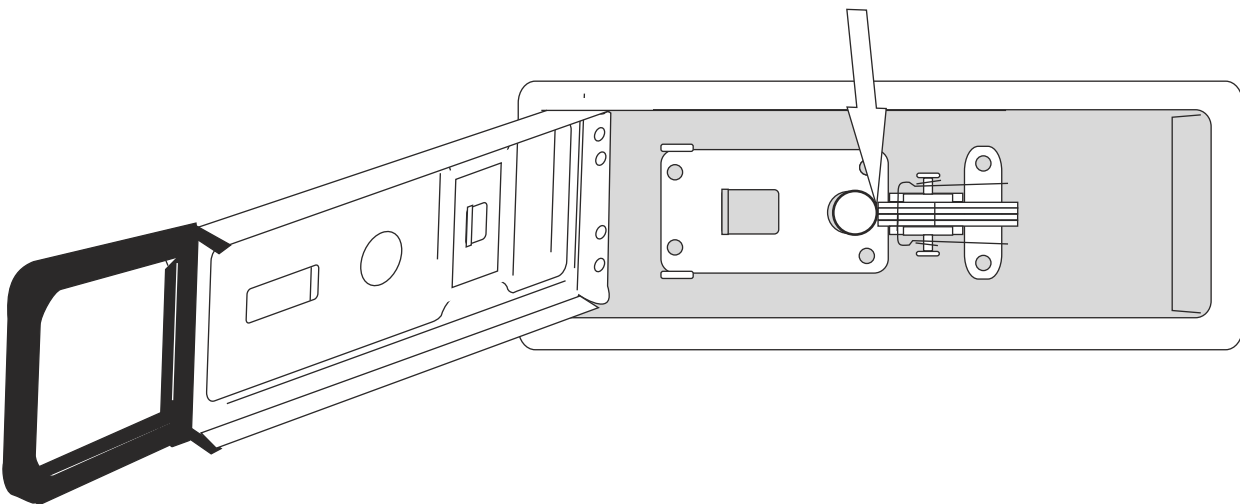
3



Use a cup-drill 23 mm. Make through whole the metal and door plate.

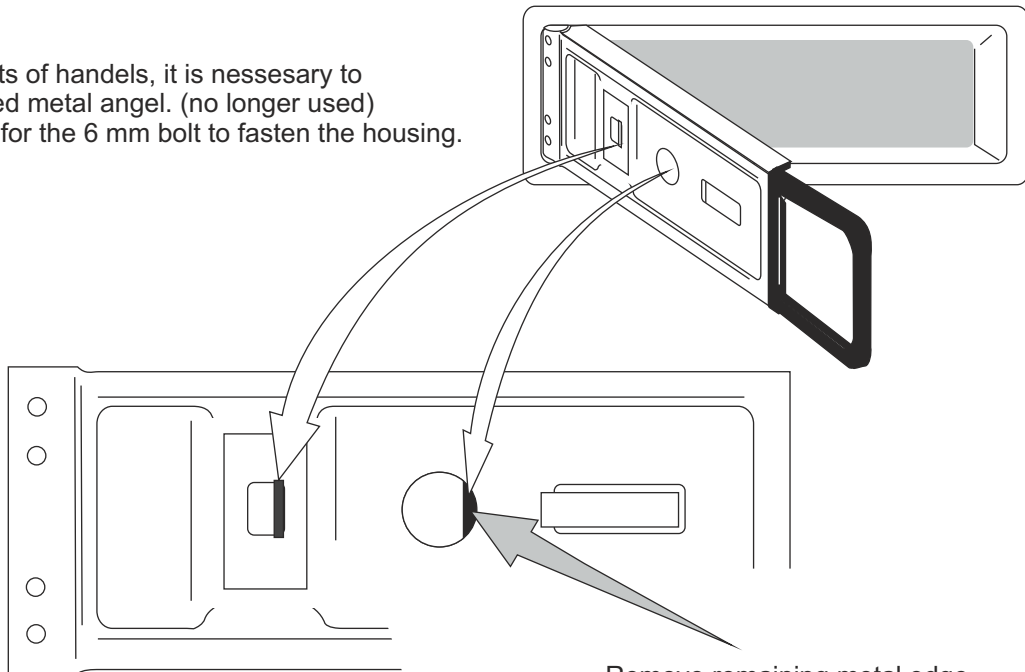
4

The edge of the final whole must be in line with the rocker-arm



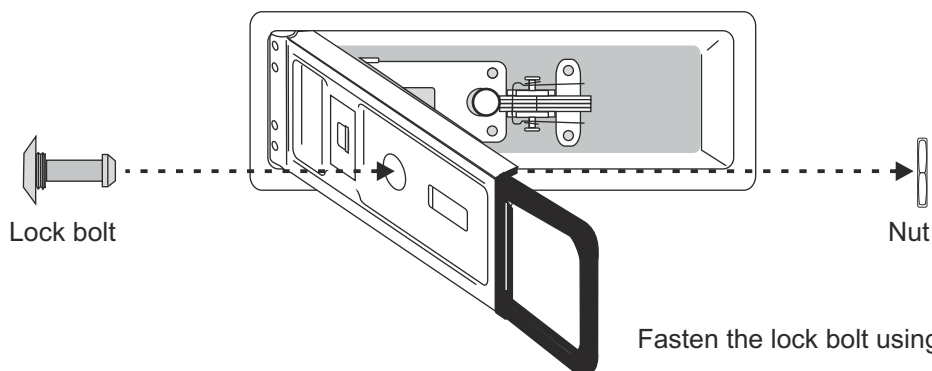
5

On some variants of handles, it is necessary to remove the welded metal angle. (no longer used)
This gives space for the 6 mm bolt to fasten the housing.



Remove remaining metal edge to ensure a round whole.

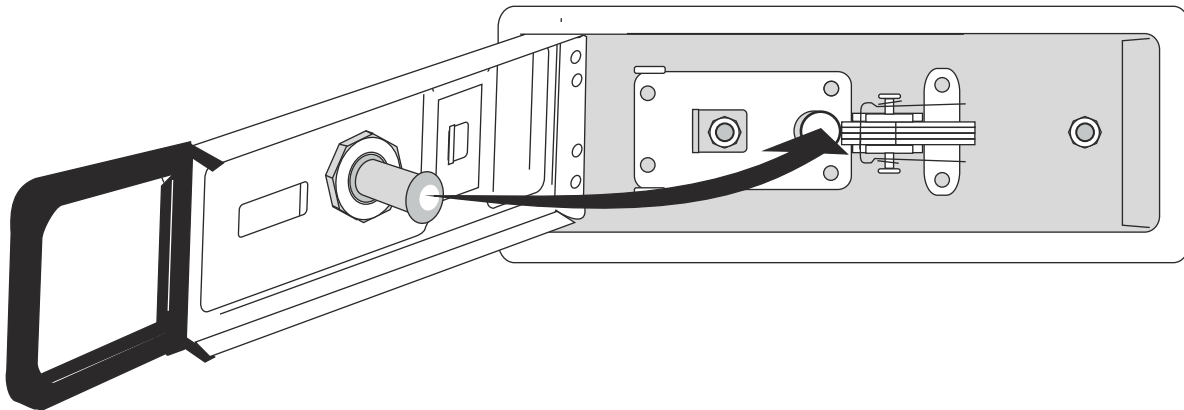
6



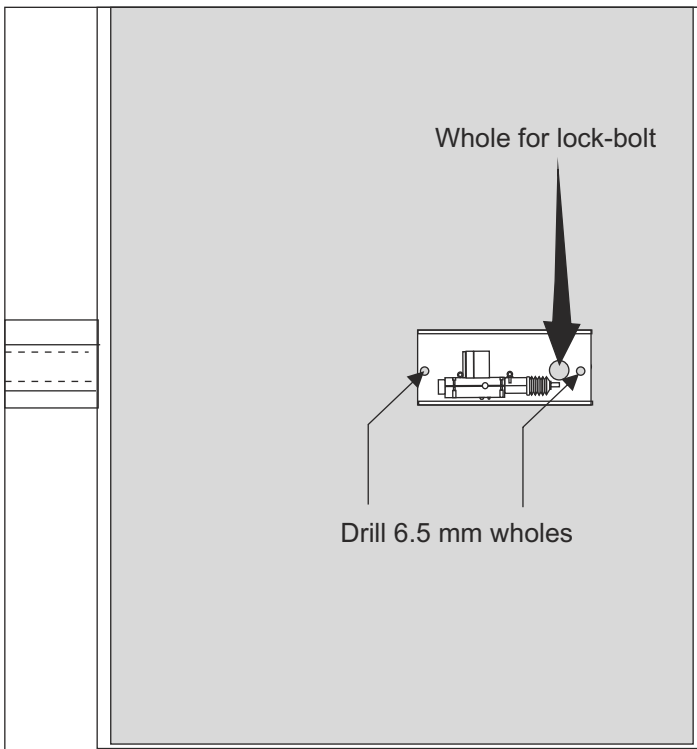
Fasten the lock bolt using the nut.

7

Ensure that lock-bolt enter through the door panel without touching elements.



8

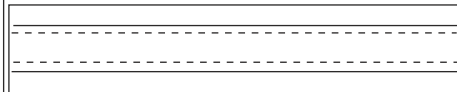


Place the DC1060 housing, centering the whole over the lock-bolt.

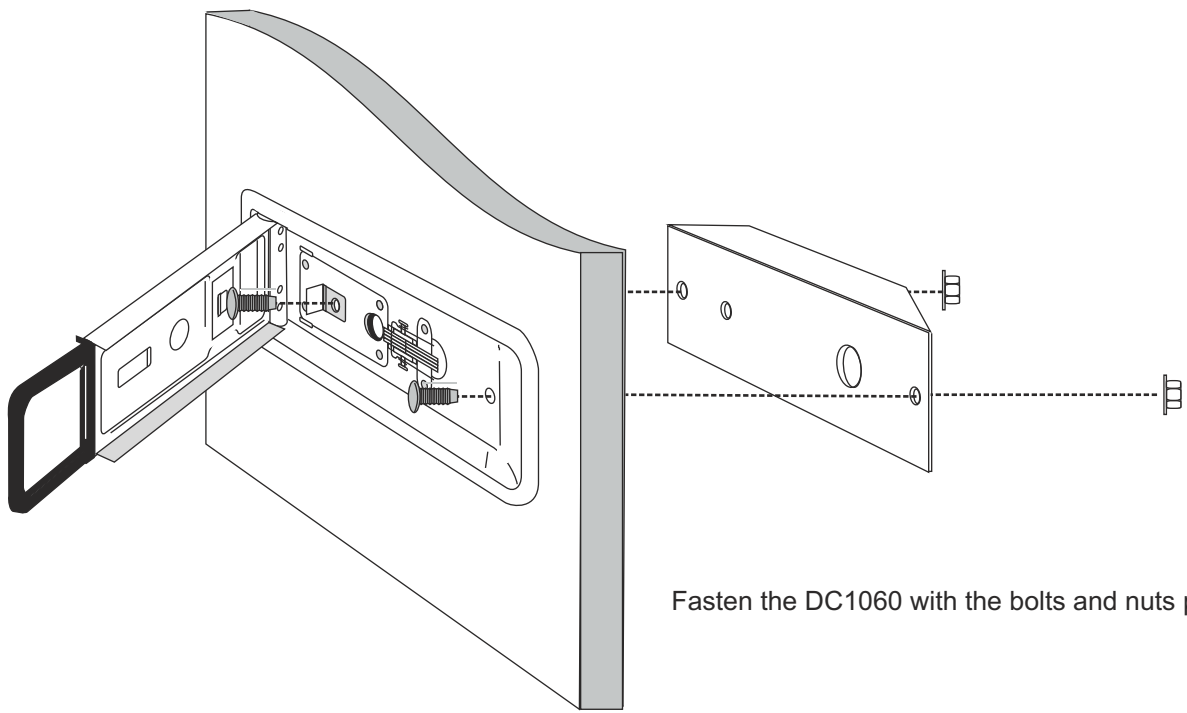
Important:

Ensure that operation of the handle with the lock-bolt operate free, without touching elements.

After function check: hold the DC1060 in fix position and drill 6.5 mm wholes through the door.



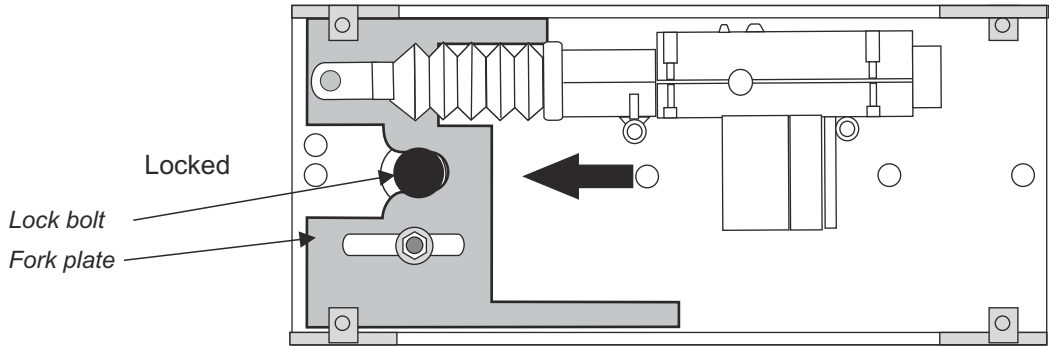
9



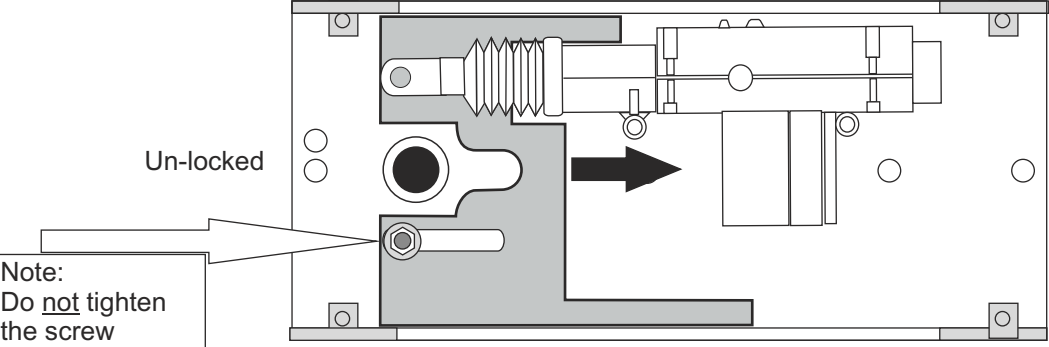
Fasten the DC1060 with the bolts and nuts provided.

10

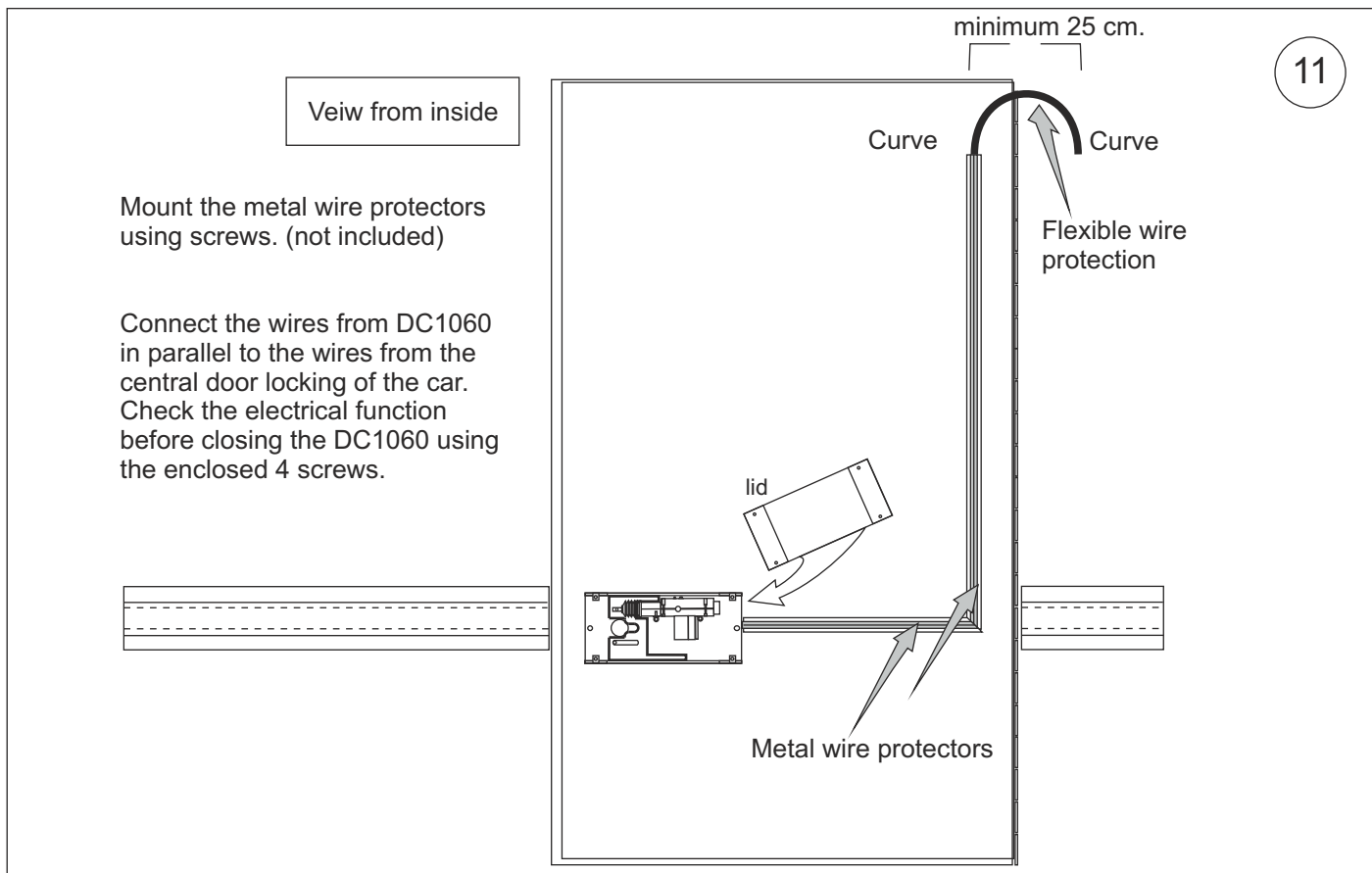
Locking function check:
Close the handle and check the fork plate are entering the lockbolt freely.



Un-locking function check:
Push back the fork plate and check release of the lock-bolt head.



Note:
Do **not** tighten
the screw



12

Contents DC1060

1	pcs.	DC1060 Lock with actuator 12 volt.
1	pcs.	DC1060 wirekit including flexible wire protector
1	pcs.	Metal wire protector 60 cm. with 45 degree cut
2	pcs.	Metal wire protector 65 cm. with 45 degree cut
2	pcs.	6x16 mm. bolt
2	pcs.	6 mm. nut, self locking
4	pcs.	5 mm. screw for lid
1	pcs.	Lock bolt
1	pcs.	Nut for lock bolt

Copyright:
 All contents of this document including drawings and illustrations, belongs to:
 Dancar Autosikring ApS
 DK-2640 Hedehusene
 Phone +45 46591228
 www.dancar.dk

Patent number: PR 175732